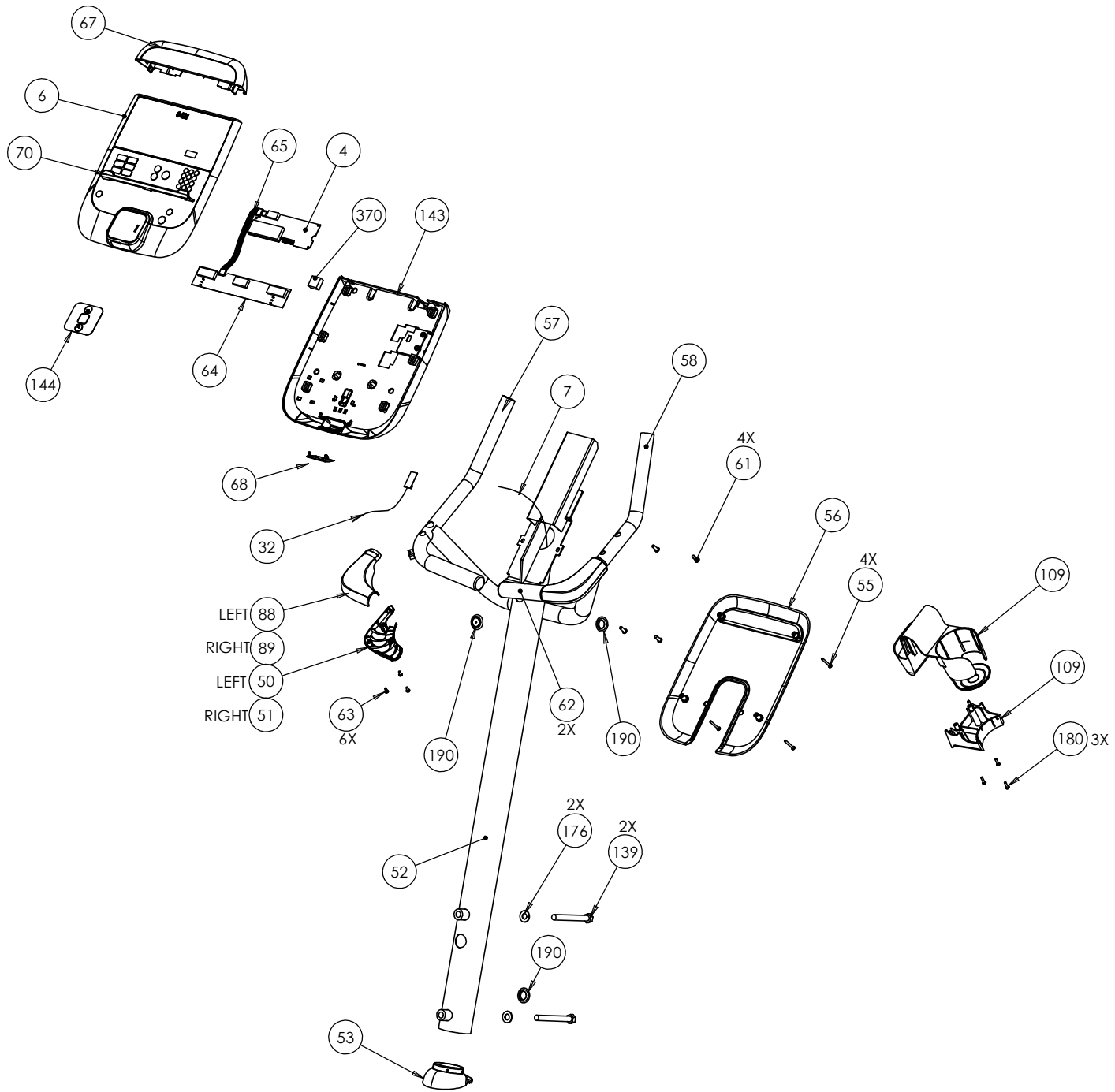
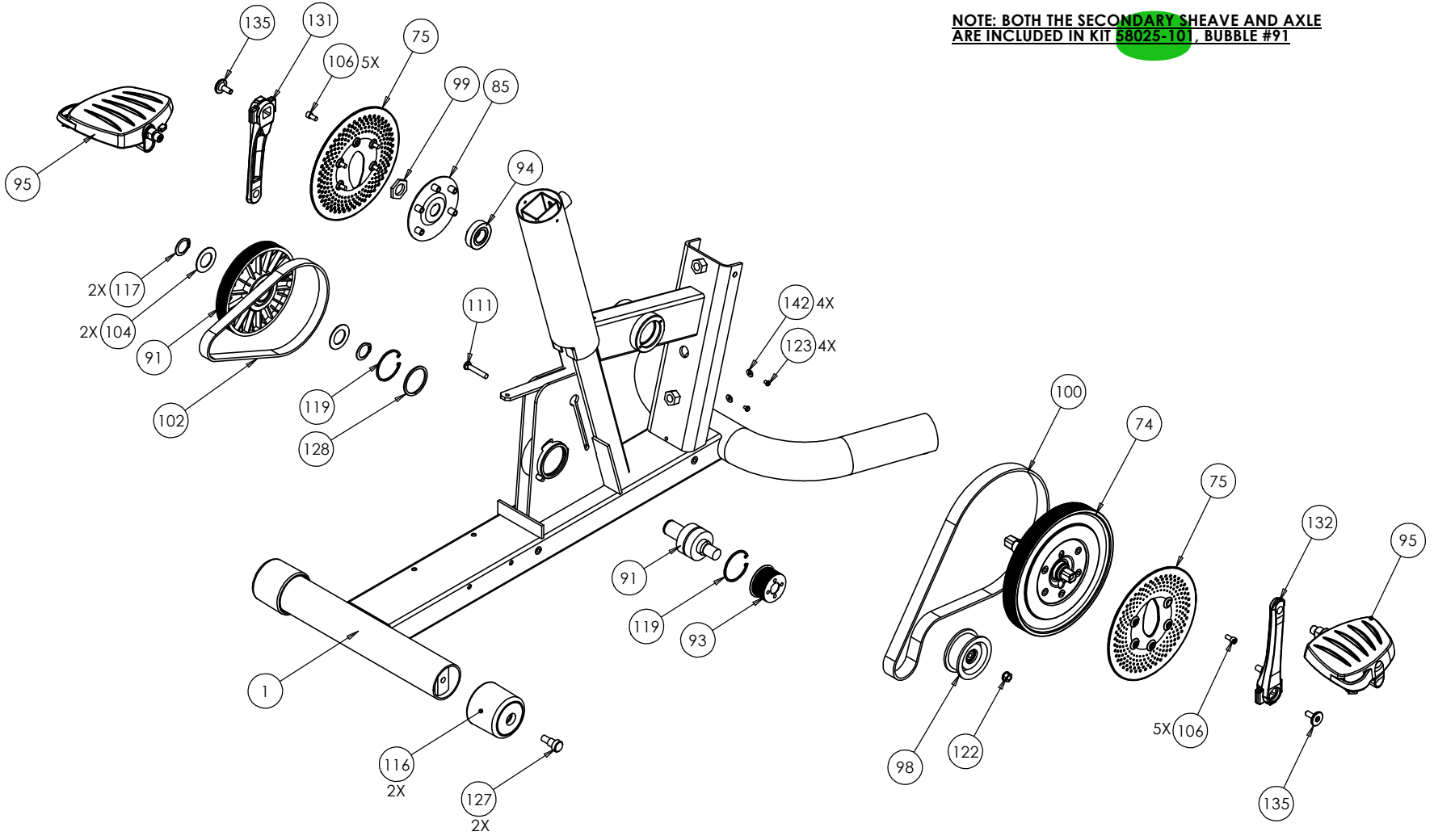


C842I UPRIGHT	P/N : 49411-101	SUBREV : H
DRAWN BY : MAH	DATE : 10.11.10	SHEET 1 OF 6





NOTE: BOTH THE SECONDARY SHEAVE AND AXLE ARE INCLUDED IN KIT 58025-101, BUBBLE #91

